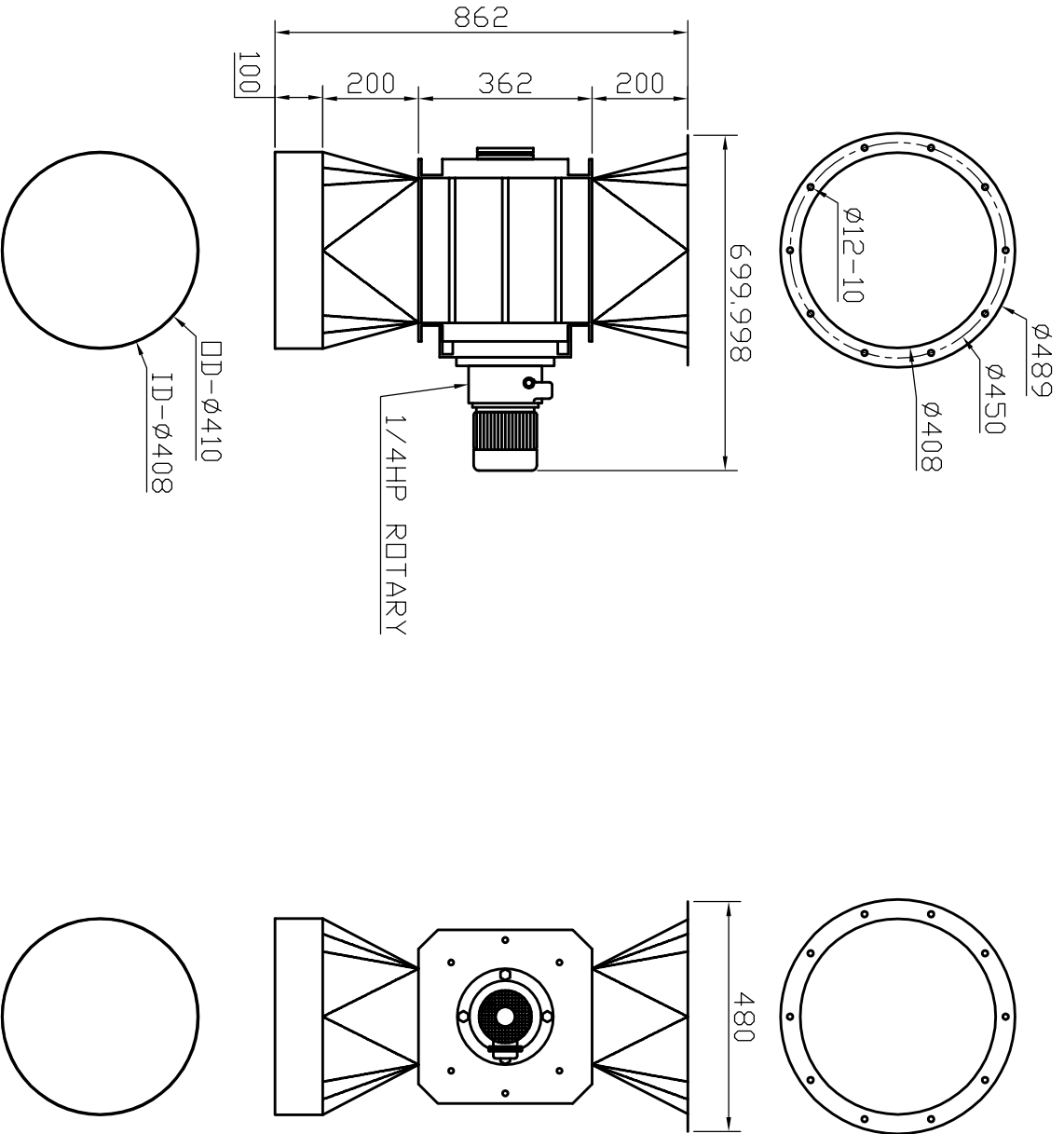


THIS PRINT IS THE EXCLUSIVE PROPERTY OF Extrema. IT CONTAINS PROPRIETARY DATA AND INFORMATION DEVELOPED AT Extrema's EXPENSE AND IS FURNISHED UPON THE EXPRESS CONDITION, ACKNOWLEDGED BY THE RECIPIENT, THAT IT'S CONTENTS SHALL NOT BE DISCLOSED, COPIED, DUPLICATED, DISSEMINATED, OR USED, EXCEPT FOR THE PURPOSES ESTABLISHED BY WRITTEN CONTRACT OR OTHERWISE AUTHORIZED BY Extrema. IN WRITING.



REV	DATE	INIT	DESCRIPTION	DATE:	2007.10.23	Model number	EXTR
				AUTOCAD DWG	RC-04		RC-04